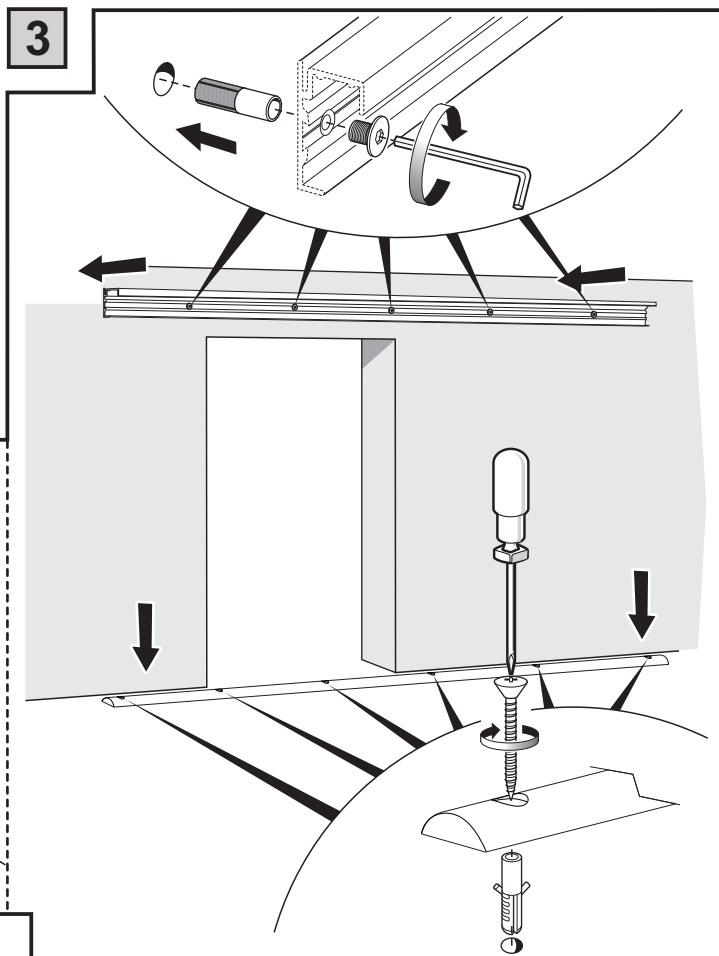
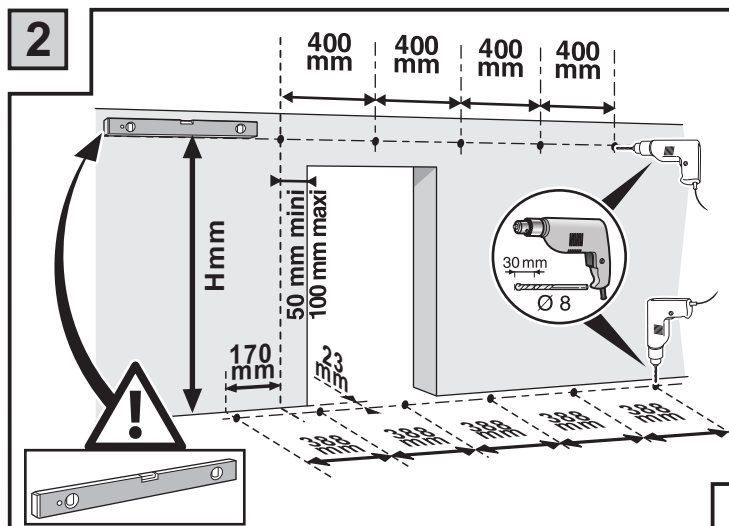
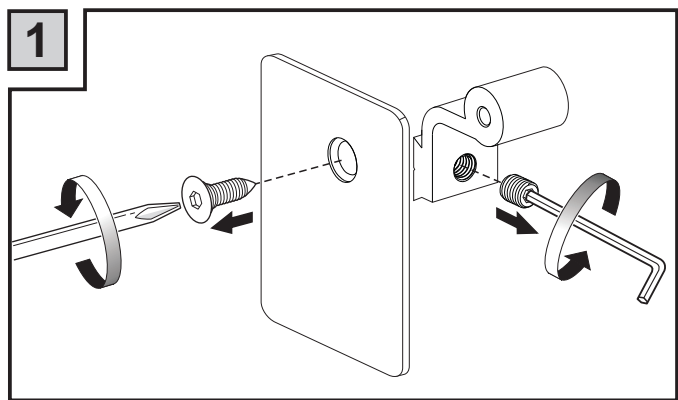
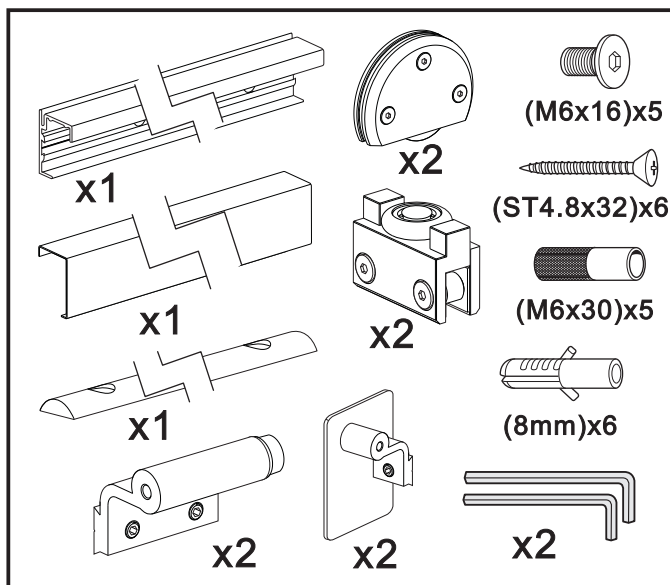
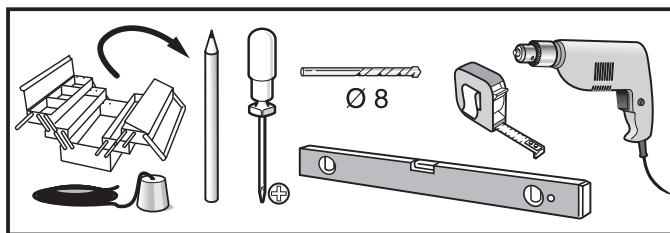
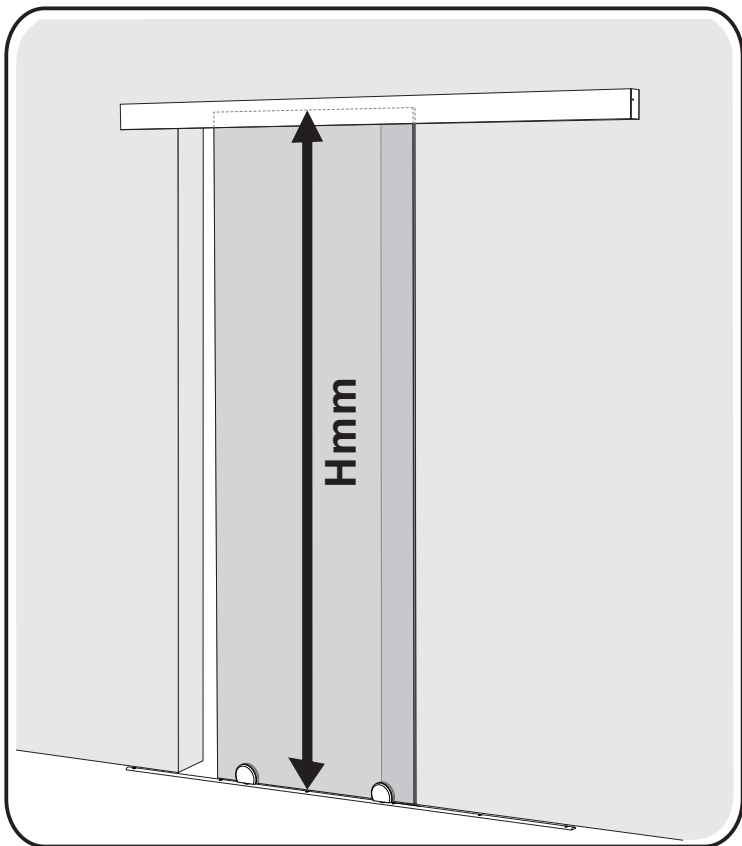
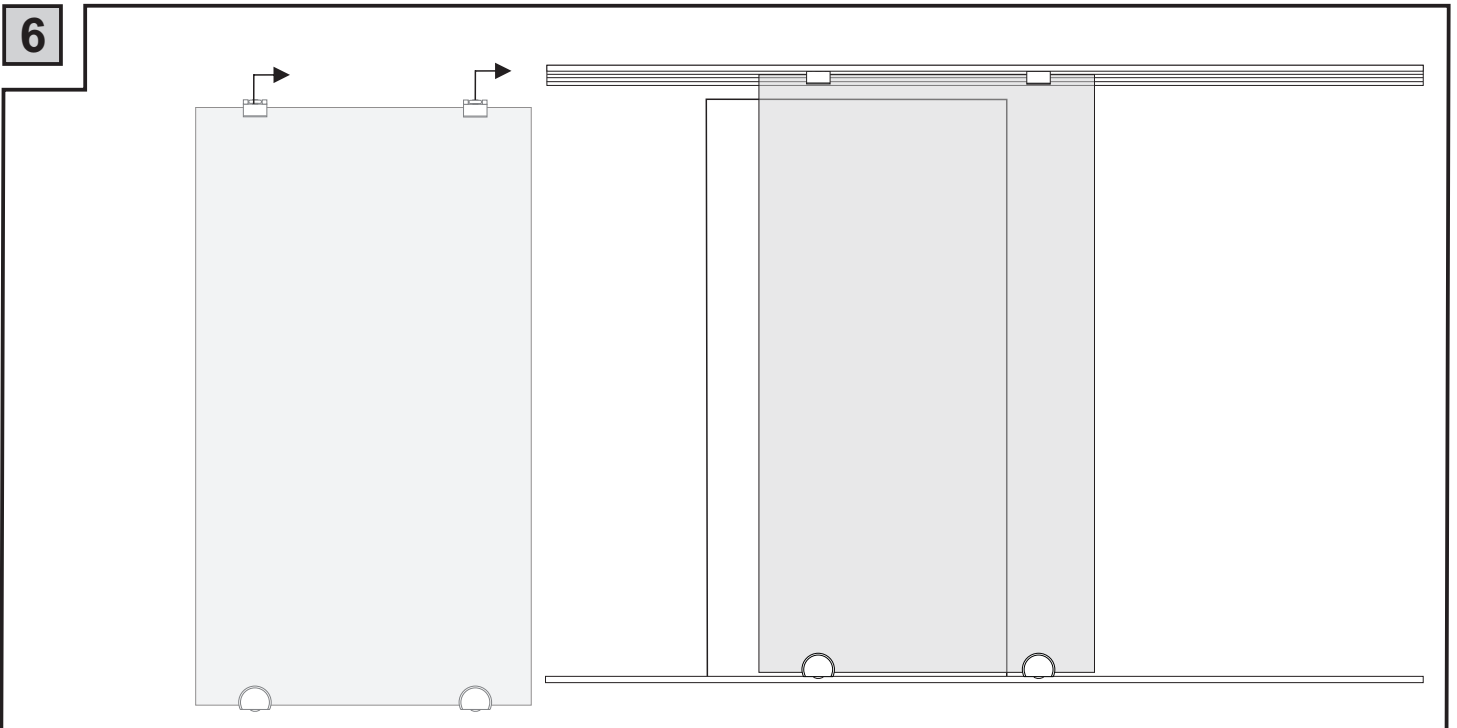
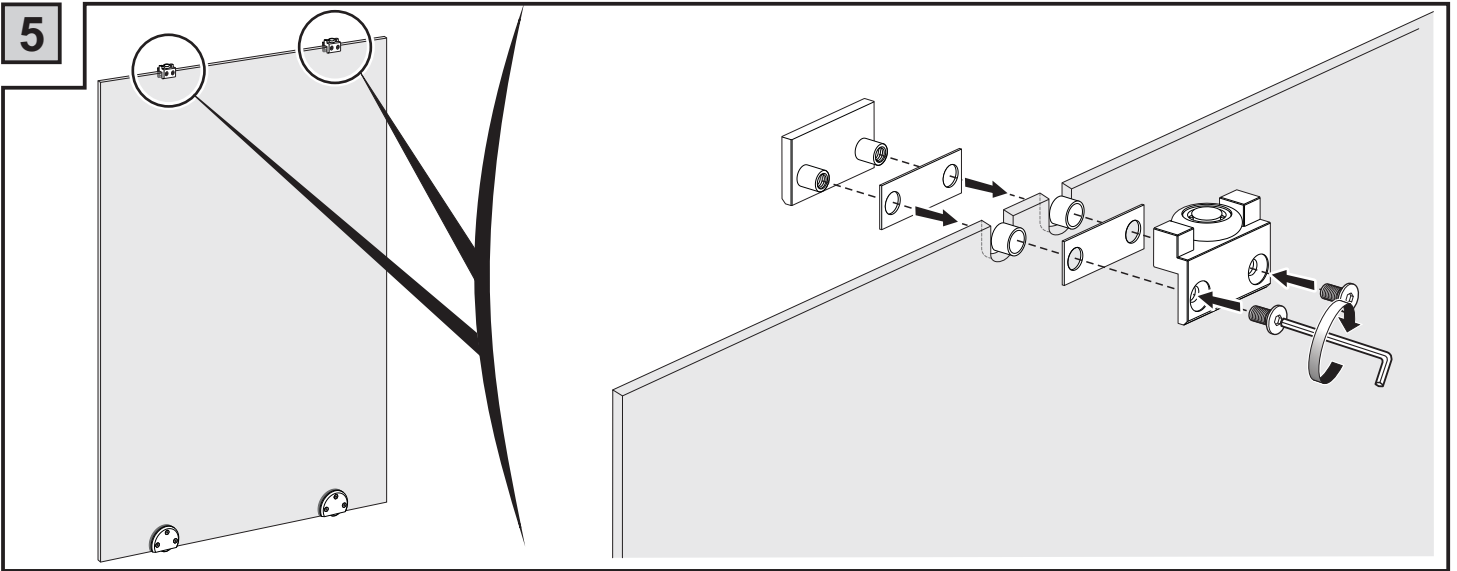
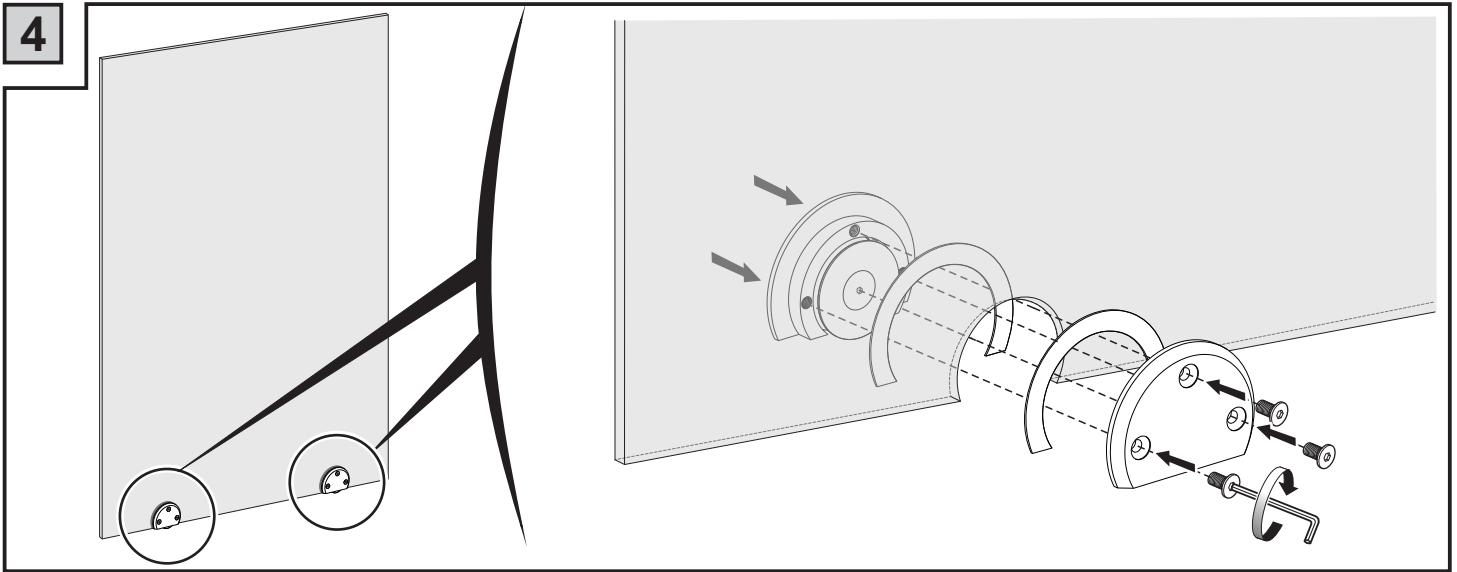
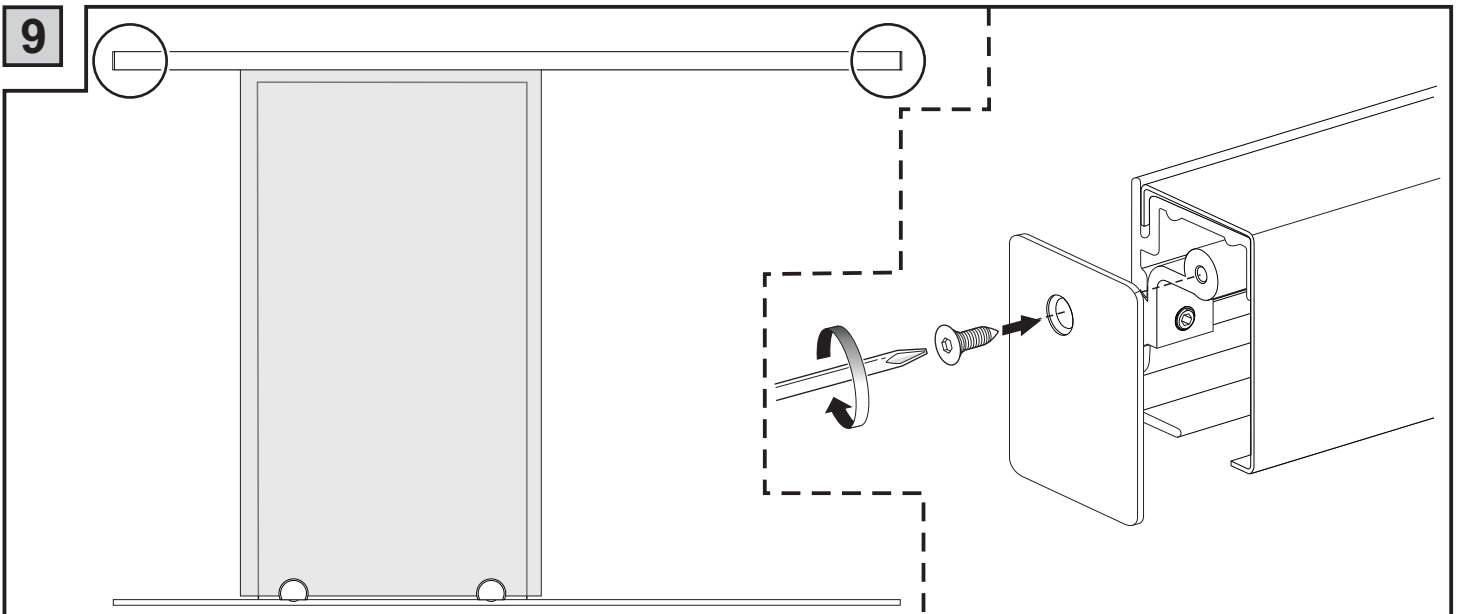
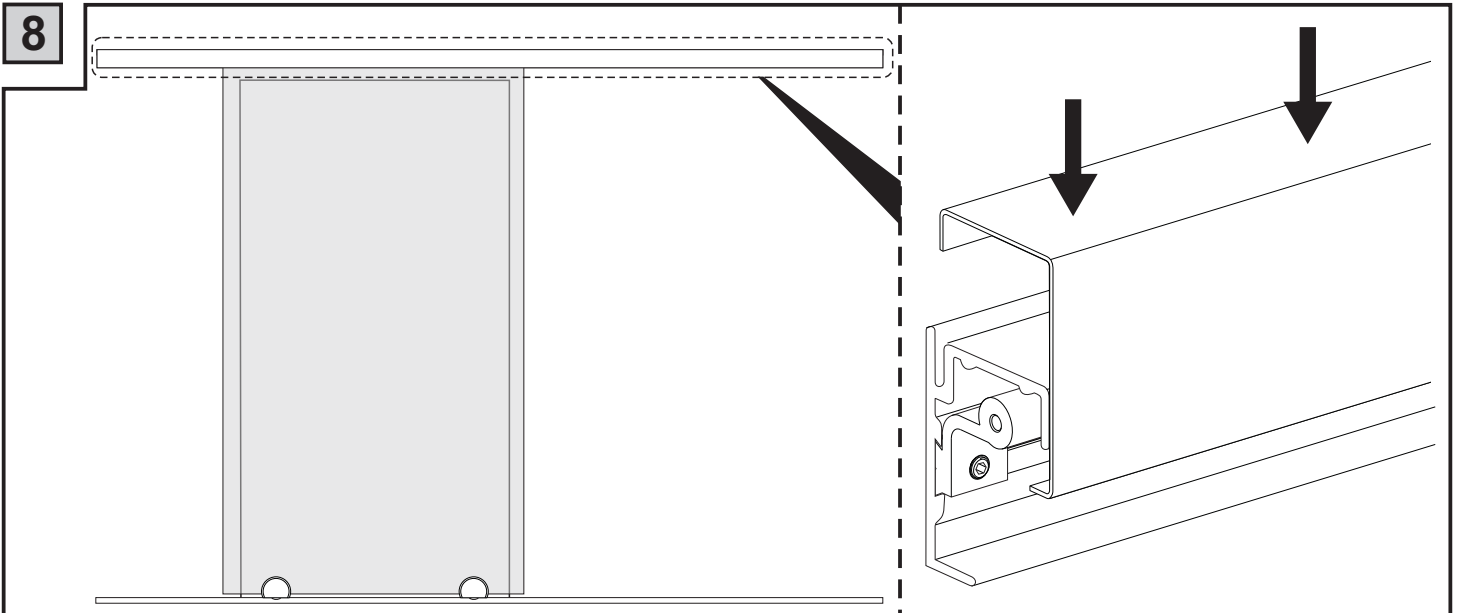
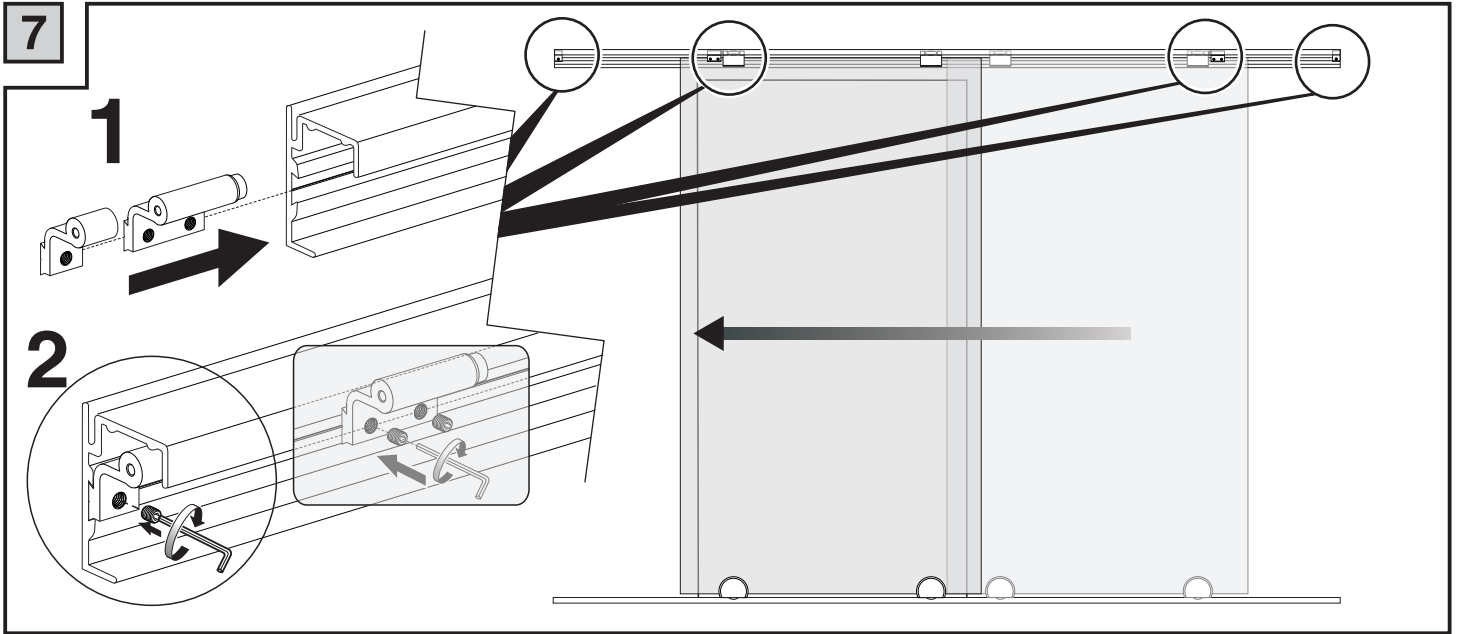


Installation Instructions







Features and Data

Sliding Door System "ISS" (Item No.:28.29.400)

For installation with single glass panel or double (biparting) door panels;
Wall mounted.

For 8-10mm glass thickness.

Max. dynamic load capacity: 35 kg.

Calculation of glass height: $GH = LH + X + 19$

Calculation of glass width: $GW = LX + 50$

GW = Glass width

GH = Glass height

H = Distance holes center for rail to ground

LH = Clear opening height

LW = Clear opening width

X = Distance cover edge to opening upper side

